



technical specifications CRMSC-SRIW

general

- Reference-quality Digital Cinema ready surround sound system
- Unique voicing match with Alcons pro-ribbon loaded screen systems
- 1:1 non-compressed sound reproduction, with up to 90% less distortion
- RBN202 pro-ribbon HF driver with exceptional intelligibility and dynamic output
- SIS pre-wired for very high damping and further reduced distortion (with ALC)
- Patented “Real-90” horizontal dispersion



description

The CRMSC-SRIW surround is a 2-way passive-filtered full range loudspeaker, designed to meet all requirements of current and future cinema surround sound formats.

Featuring the patented Alcons pro-ribbon driver technology, the CRMSC-SRIW surround combines an exceptional clarity and intelligibility with an unusually high dynamic range, offering the most realistic sound reproduction possible.

The CRMSC-SRIW system consists of an RBN202 pro-ribbon driver for HF and a vented 6.5” mid-bass for LF reproduction. The CRMSC-SRIW HF section has an 400 W peak power input, enabling a 1:16 dynamic range with up to 90% less distortion from 1 kHz to beyond 20 kHz.

The patented horizontal dispersion of the RBN202 offers a stable coverage to a larger number of seats in the auditorium; Due to the “compression-less” principle of the pro-ribbon transducer, the system has a linear response at any SPL.

The CRMSC-SRIW is designed as matching in-wall surround system for the CRMSC system: By utilizing identical MHF components, a perfect voicing matching between screen- and surround system is realized, resulting in an exceptionally wide and uniform sound stage throughout the entire listening area.

The ultra-shallow enclosure of 150 mm / 5.9-in provides for easy, low profile in-wall mounting.

For full system performance, the CRMSC-SRIW needs to be driven by an ALC controller-amplifier, delivering maximum sound quality with increased headroom and utmost operation reliability.

The Signal Integrity Sensing™ pre-wiring ensures complete cable/connector compensation between the CRMSC-SRIW and ALC, significantly increasing

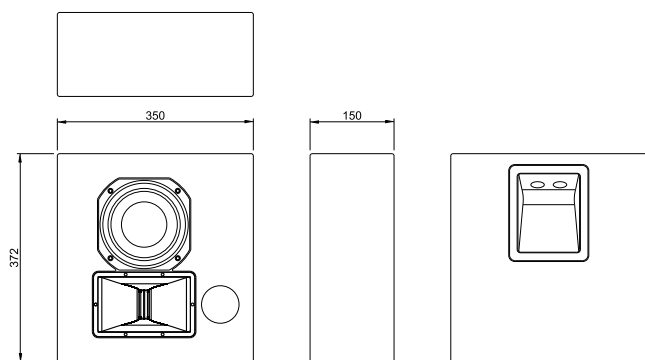
response accuracy, regardless of cable length and system impedance, with tight and accurate mid and bass response as result.

Typical applications include in-wall surround sound system for premium Home Cinemas, high-end

mix/screening rooms, quality-conscious post-production facilities and dubbing stages. As a result of Alcons' tight manufacturing standards, all system cabinets are within "matched pair" tolerance.

technical specifications CRMSC-SRIW

dimensional drawing



technical specifications

Frequency response	74 Hz - 20.000 Hz (+/- 3 dB)
	53 Hz - (+/- 10 dB)
Sensitivity nominal	99 dB (200 Hz - 10 kHz)
Nominal impedance	4 ohms or 8 ohms
Recommended drive	Sentinel3 min., max. 3 pcs. per channel (2.7 ohms)
Nominal SPL peak	125 dB (Sentinel3 200 Hz - 10 kHz)
	130 dB (Sentinel10 200 Hz - 10 kHz)
Dispersion	H 90° x V 30° (@ 20 kHz)

physical specifications

System	2-way, full-range	
Filtering	passive	
Drivers LF	1x AMB6.5 6.5", vented	
Drivers HF	1x RBN202rs 2" pro-ribbon driver	
Connectors	2x Speakon NL4 input/link	
Physical dimensions	mm	inches
Height	372	14.6
Width	350	13.8
Depth	150	5.9
Weight (approx.)	6,9 kg	15.2 lb
Warranty	6 years limited	

A: Alcons Audio B.V
De Corantijn 69
1689 AN Zwaag
The Netherlands

E: info@alconsaudio.com
W: www.alconsaudio.com
T: +31 (0) 229 28 30 90
F: +31 (0) 229 28 30 99